

8

7

6

5

4

3

2

1

F

E

D

C

B

A

F

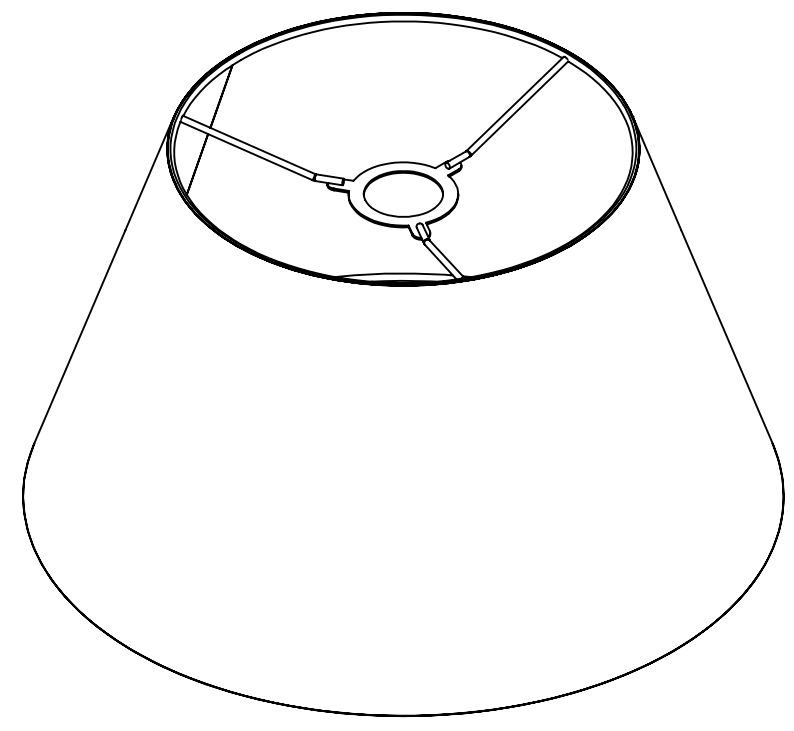
E

D

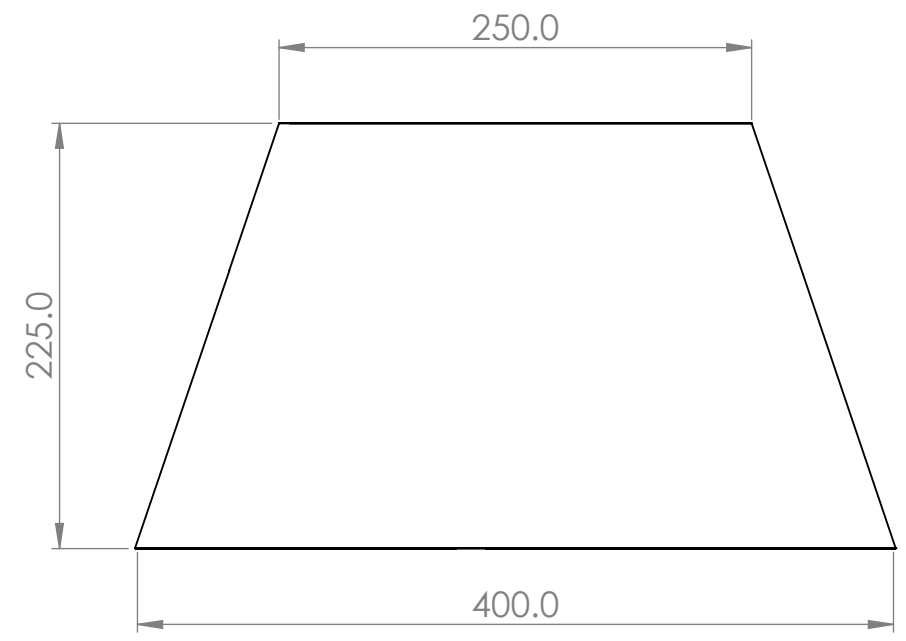
C

B

A



PART NUMBER	Top mounted EMPR-DROP-400-250-225H-30-E27 (shown) Bottom mounted EMPR-BASE-400-250-225H-30-E27
DESCRIPTION	Empire Shade Bottom Dia 400 Top Dia 250 Height 225mm DROP Mount E27
LIGHT SOURCE	Not included with shade.
WIRING	This shade has no electrical parts.
SUSPENSION	Shade is attached to E27 lamp holder (not included) with shade rings (not included).
MATERIALS	Steel wire frame with fabric covered PVC panel.
WEIGHT (estimated)	Top = 0.32Kg Bottom = 0.34Kg



8

7

6

5

4

3

2

1