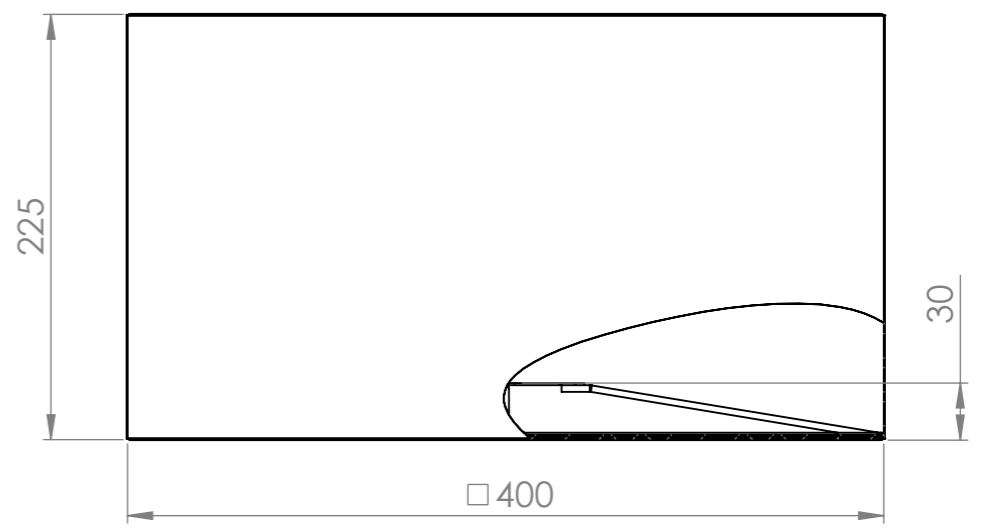
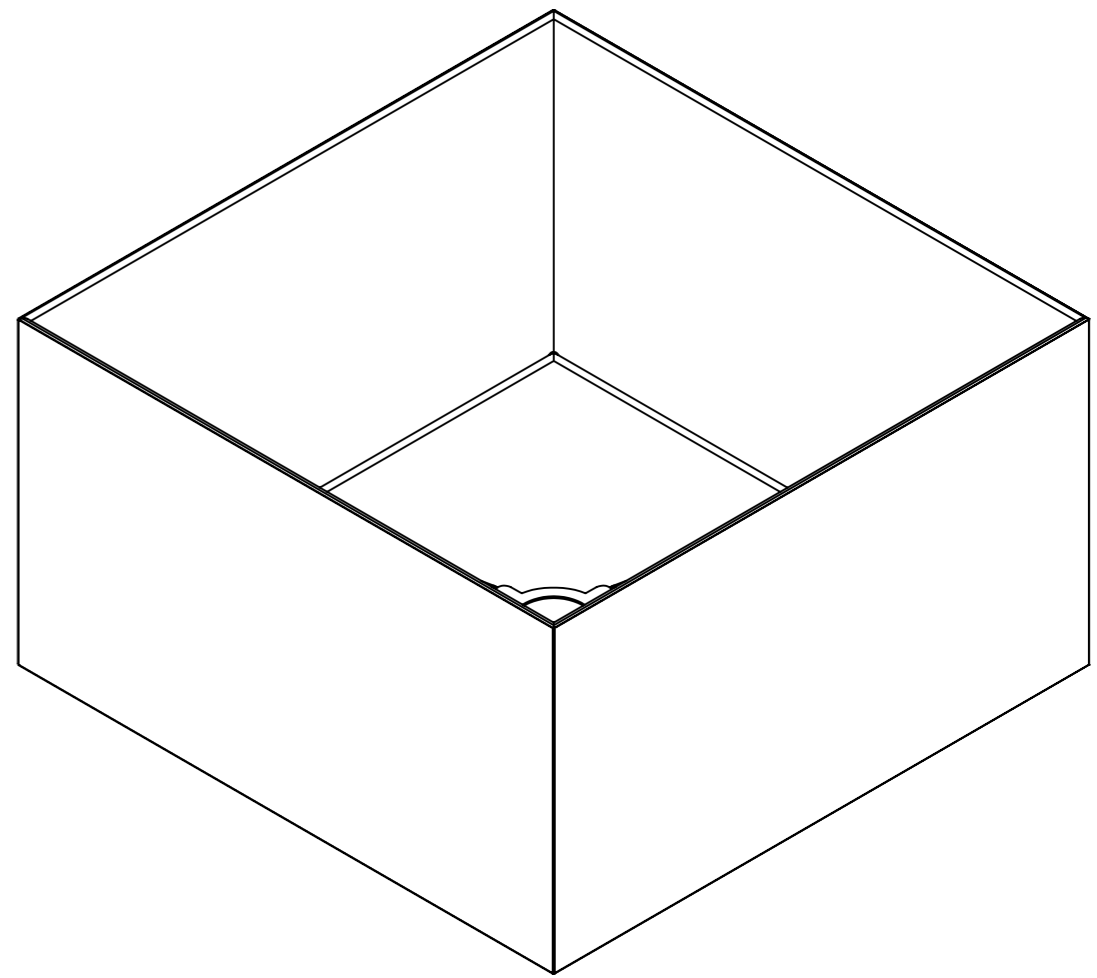


8 7 6 5 4 3 2 1

F  
E  
D  
C  
B  
A

PART NUMBER	<p>Top mounted = SQR-DROP-400-225H-30-E27          To suspend this shade we recomend buying a rod suspension kit          SPK-ROD-E27-XXXX (where XXXX is replaced with the distance from ceiling to shade ring required)          Bottom mounted = SQR-BASE-400-225H-30-E27 (shown)</p>
DESCRIPTION	Square Shade 400 Width & Depth by 225 High E27 BASE Mounted
LIGHT SOURCE	Not included with shade.
WIRING	<p>Top mounted = This shade has no electrical parts.          Bottom mounted = The suspension kit recomend included an E27 lamp holder which will be wired through to the ceiling cup.</p>
SUSPENSION	<p>Top mounted = Shade is attached to E27 lamp holder (not included) with shade rings (not included).          Bottom mounted = Recomend suspension kit includes lamp holder and shade tings and is attached to ceiling with ceiling cup and bracket.</p>
MATERIALS	Steel wire frame with fabric covered PVC panel.
WEIGHT (estimated)	0.5Kg (shade only)



8 7 6 5 4 3 2 1

F  
E  
D  
C  
B  
A