

8

7

6

5

4

3

2

1

F

F

E

E

D

D

C

C

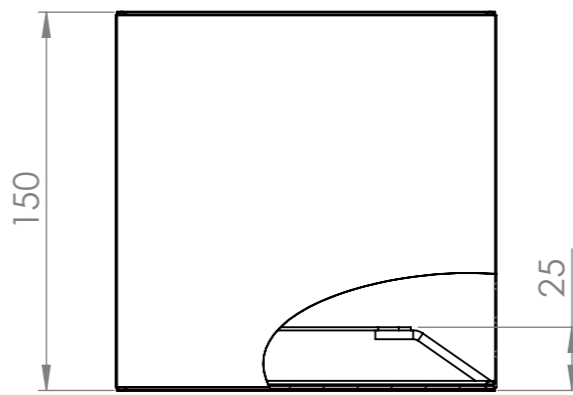
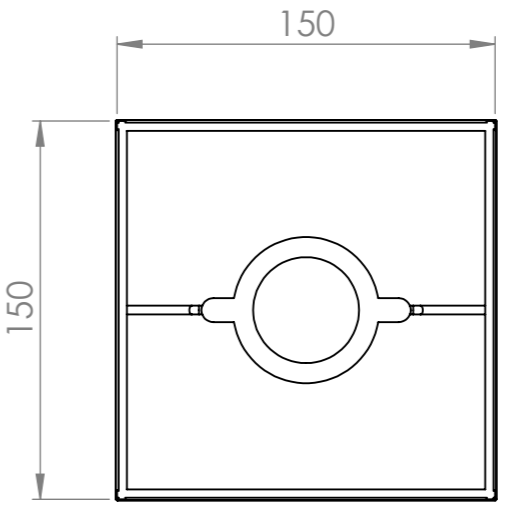
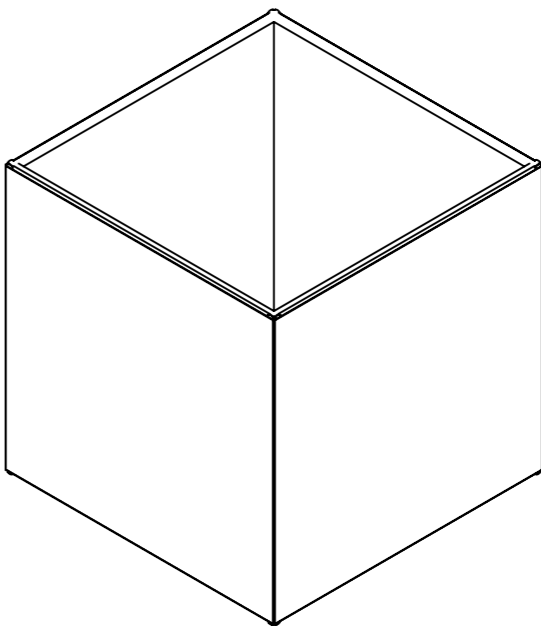
B

B

A

A

| | |
|--------------------|--------------------------------------------------------------------------------------------------------------------------------------------------------------------------------------------------------------------------------------------------------------------------------------------------|
| PART NUMBER | <p>Top mounted = CUBE-DROP-150-150H-25-E27 To suspend this shade we recomend buying a rod suspension kit SPK-ROD-E27-XXXX (where XXXX is replaced with the distance from ceiling to shade ring required)</p> <p>Bottom mounted = CUBE-BASE-150-150H-25-E27 (shown)</p> |
| DESCRIPTION | Cube Shade 150 Width & Depth by 150 High E27 BASE Mounted |
| LIGHT SOURCE | Not included with shade. |
| WIRING | <p>Top mounted = This shade has no electrical parts.</p> <p>Bottom mounted = The suspension kit recomend includes an E27 lamp holder which will be wired through to the ceiling cup.</p> |
| SUSPENSION | <p>Top mounted = Shade is attached to E27 lamp holder (not included) with shade rings (not included).</p> <p>Bottom mounted = Recomend suspension kit includes lamp holder and shade tings and is attached to ceiling with ceiling cup and bracket.</p> |
| MATERIALS | Steel wire frame with fabric covered PVC panel. |
| WEIGHT (estimated) | 0.16Kg (shade only) |



8

7

6

5

4

3

2

1