

8

7

6

5

4

3

2

1

F

E

D

C

B

A

F

E

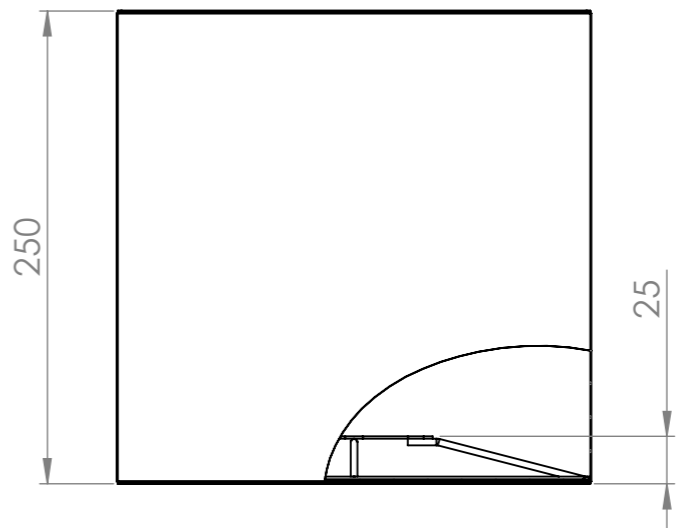
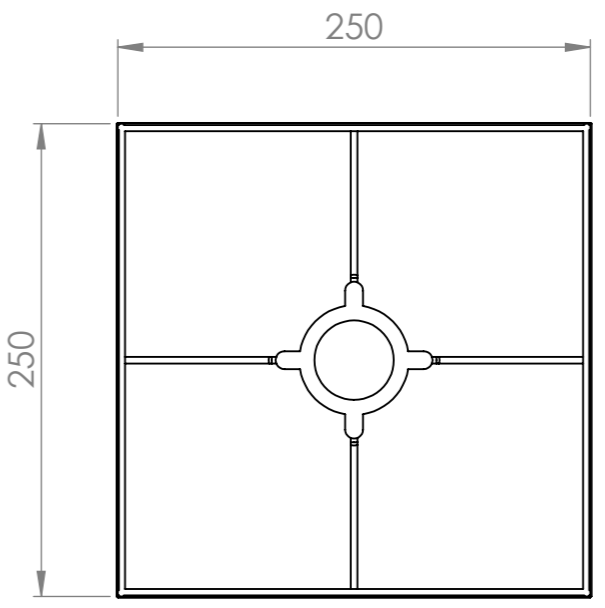
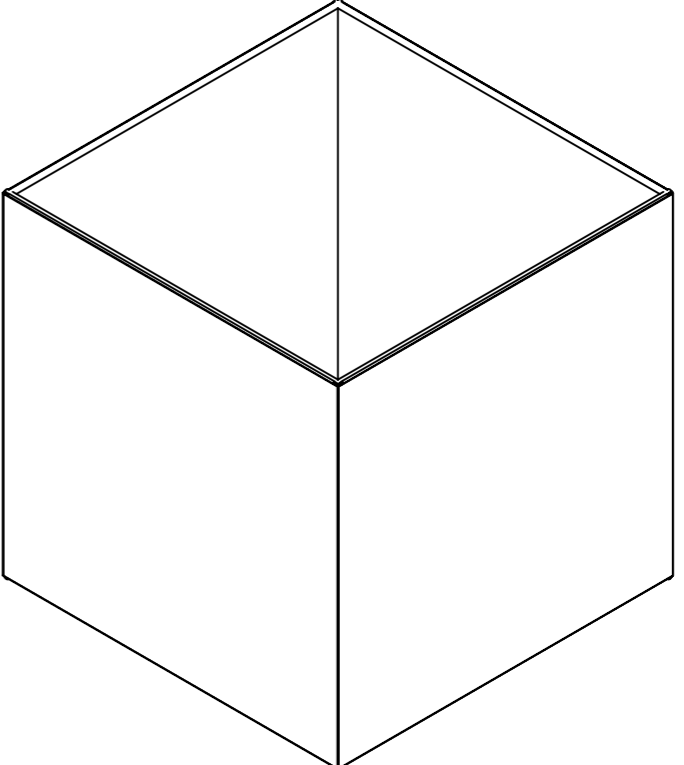
D

C

B

A

PART NUMBER	<p>Top mounted = CUBE-DROP-250-250H-25-E27 To suspend this shade we recomend buying a rod suspension kit SPK-ROD-E27-XXXX (where XXXX is replaced with the distance from ceiling to shade ring required)</p> <p>Bottom mounted = CUBE-BASE-250-250H-25-E27 (shown)</p>
DESCRIPTION	Cube Shade 250 Width & Depth by 250 High E27 BASE Mounted
LIGHT SOURCE	Not included with shade.
WIRING	<p>Top mounted = This shade has no electrical parts.</p> <p>Bottom mounted = The suspension kit recomend included an E27 lamp holder which will be wired through to the ceiling cup.</p>
SUSPENSION	<p>Top mounted = Shade is attached to E27 lamp holder (not included) with shade rings (not included).</p> <p>Bottom mounted = Recomend suspension kit includes lamp holder and shade tings and is attached to ceiling with ceiling cup and bracket.</p>
MATERIALS	Steel wire frame with fabric covered PVC panel.
WEIGHT (estimated)	0.34Kg (shade only)



Iberian Lighting

8

7

6

5

4

3

2

1