

8

7

6

5

4

3

2

1

F

F

E

E

D

D

C

C

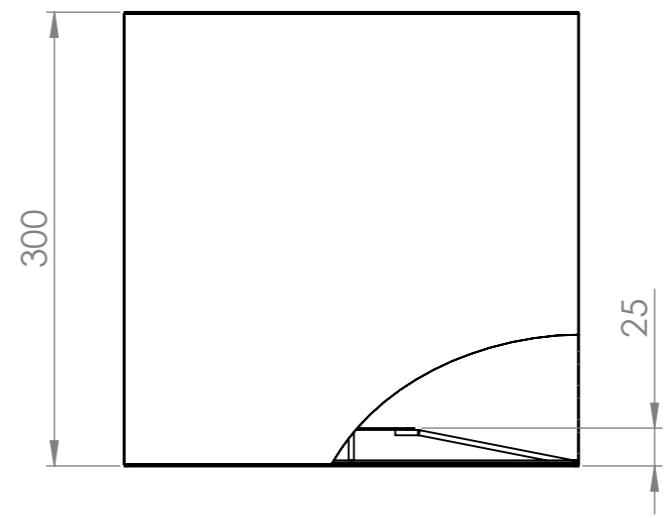
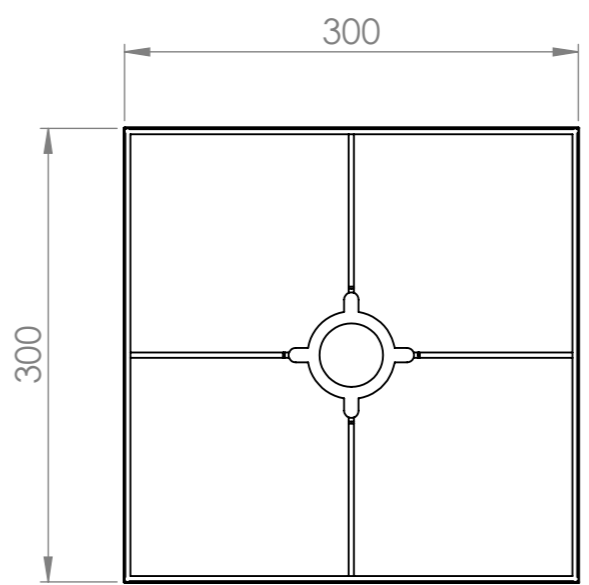
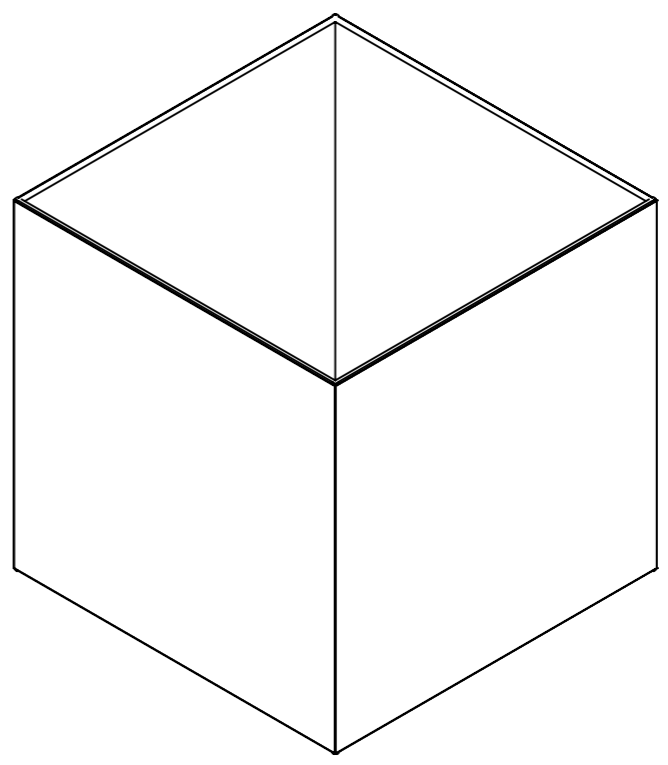
B

B

A

A

PART NUMBER	<p>Top mounted = CUBE-DROP-300-300H-25-E27          To suspend this shade we recomend buying a rod suspension kit          SPK-ROD-E27-XXXX (where XXXX is replaced with the distance from ceiling to shade ring required)          Bottom mounted = CUBE-BASE-300-300H-25-E27 (shown)</p>
DESCRIPTION	<p>Cube Shade 300 Width &amp; Depth by 300 High E27 BASE Mounted</p>
LIGHT SOURCE	<p>Not included with shade.</p>
WIRING	<p>Top mounted = This shade has no electrical parts.          Bottom mounted = The suspension kit recomend includes an E27 lamp holder which will be wired through to the ceiling cup.</p>
SUSPENSION	<p>Top mounted = Shade is attached to E27 lamp holder (not included) with shade rings (not included).          Bottom mounted = Recomend suspension kit includes lamp holder and shade tings and is attached to ceiling with ceiling cup and bracket.</p>
MATERIALS	<p>Steel wire frame with fabric covered PVC panel.</p>
WEIGHT (estimated)	<p>0.45Kg (shade only)</p>



Iberian Lighting

8

7

6

5

4

3

2

1