

8

7

6

5

4

3

2

1

F

F

E

E

D

D

C

C

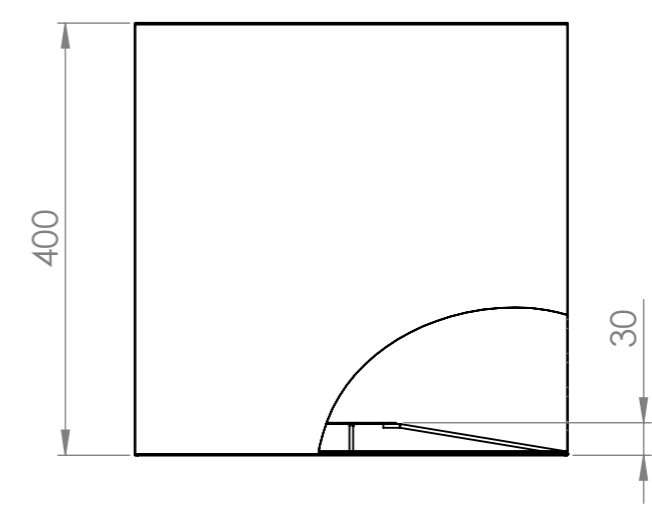
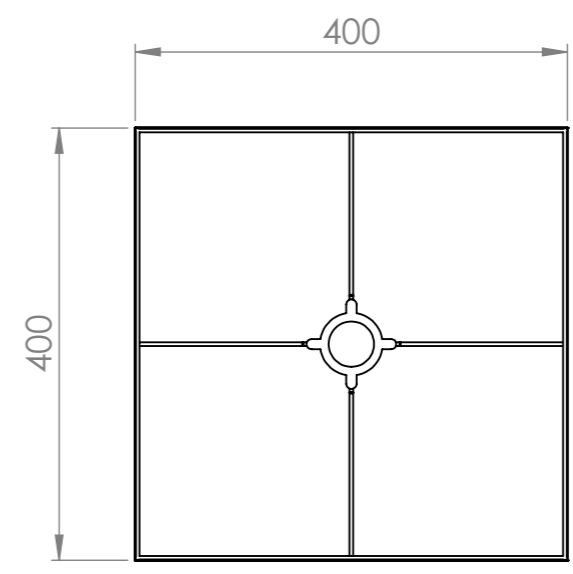
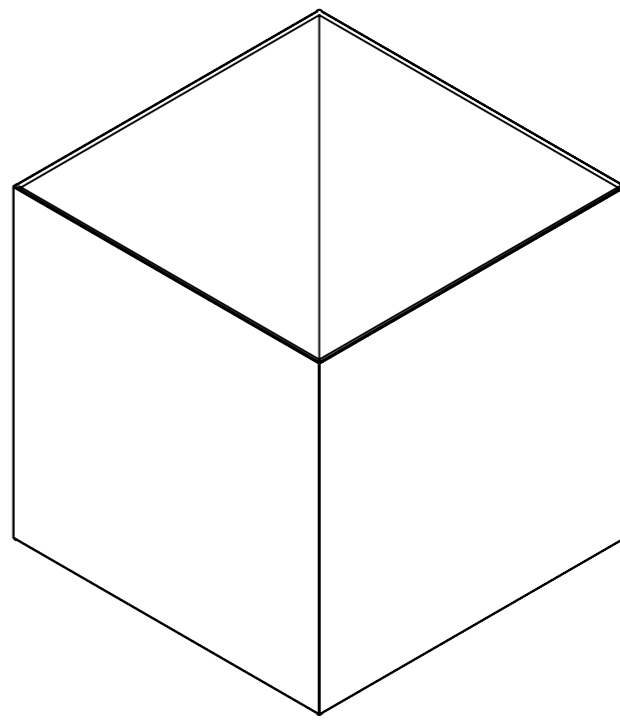
B

B

A

A

PART NUMBER	<p>Top mounted = CUBE-DROP-400-400H-30-E27 To suspend this shade we recomend buying a rod suspension kit SPK-ROD-E27-XXXX (where XXXX is replaced with the distance from ceiling to shade ring required)</p> <p>Bottom mounted = CUBE-BASE-400-400H-30-E27 (shown)</p>
DESCRIPTION	<p>Cube Shade 400 Width & Depth by 400 High E27 BASE Mounted</p>
LIGHT SOURCE	<p>Not included with shade.</p>
WIRING	<p>Top mounted = This shade has no electrical parts.</p> <p>Bottom mounted = The suspension kit recomend includes an E27 lamp holder which will be wired through to the ceiling cup.</p>
SUSPENSION	<p>Top mounted = Shade is attached to E27 lamp holder (not included) with shade rings (not included).</p> <p>Bottom mounted = Recomend suspension kit includes lamp holder and shade tings and is attached to ceiling with ceiling cup and bracket.</p>
MATERIALS	<p>Steel wire frame with fabric covered PVC panel.</p>
WEIGHT (estimated)	<p>0.69Kg (shade only)</p>



8

7

6

5

4

3

2

1