

8

7

6

5

4

3

2

1

F

E

D

C

B

A

F

E

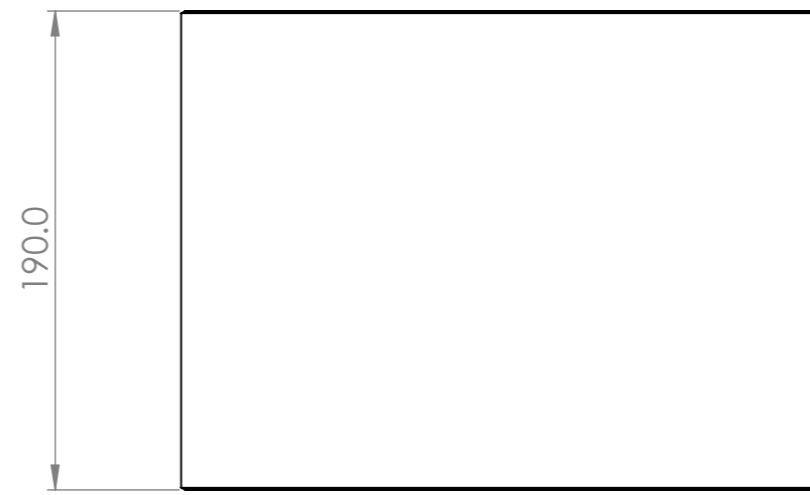
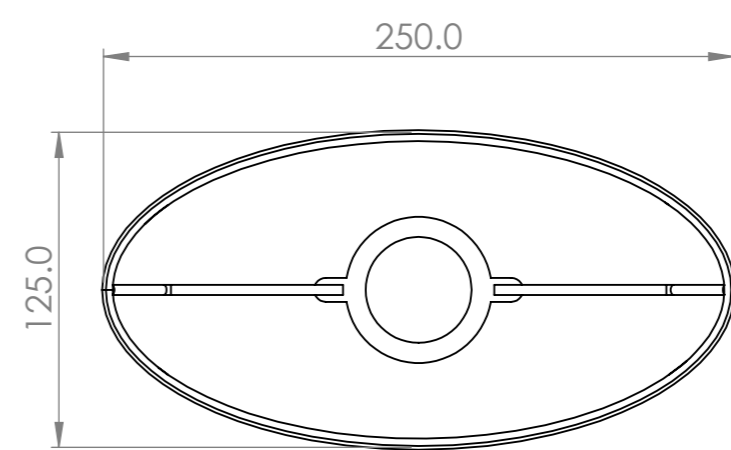
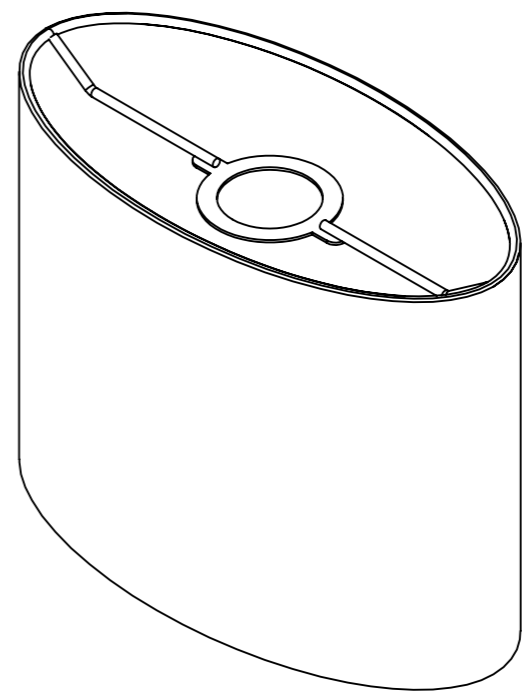
D

C

B

A

|                    |                                                                                             |
|--------------------|---------------------------------------------------------------------------------------------|
| PART NUMBER        | OVAL-250-125-190H-20-E27                                                                    |
| DESCRIPTION        | Oval Shade 250 x 125 By 190mm High, E27                                                     |
| LIGHT SOURCE       | Not included with shade.                                                                    |
| WIRING             | This shade has no electrical parts.                                                         |
| SUSPENSION         | Shade is attached to E27 lamp holder (not included) with shade rings (not included).        |
| MATERIALS          | Steel wire frame with fabric covered PVC panel. Opal acrylic 030 diffuser option available. |
| WEIGHT (estimated) | 0.3Kg                                                                                       |



8

7

6

5

4

3

2

1