

8

7

6

5

4

3

2

1

F

F

E

E

D

D

C

C

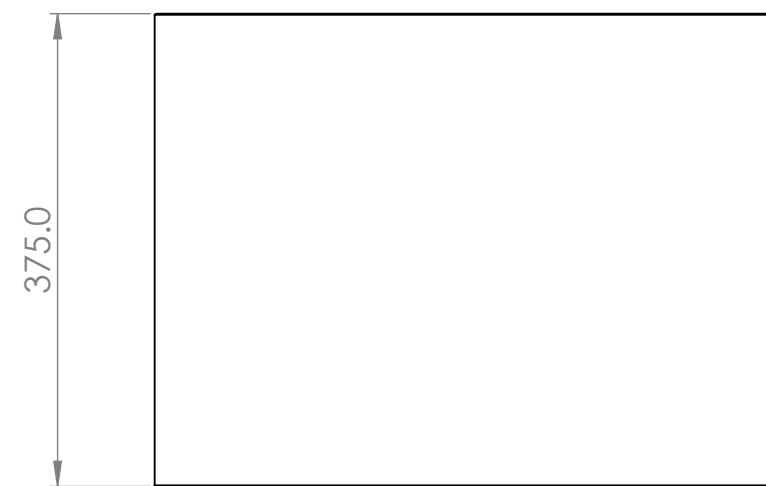
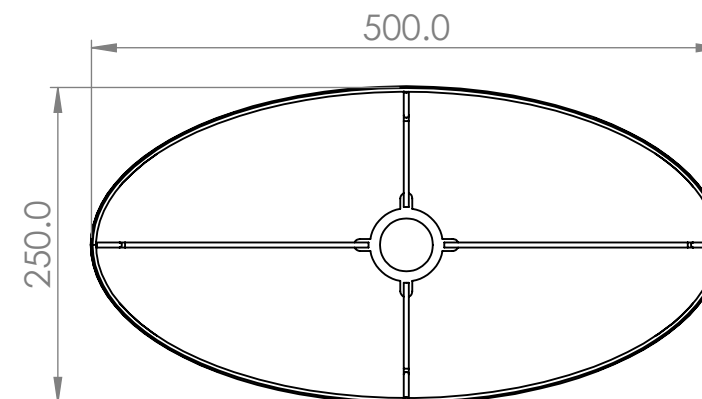
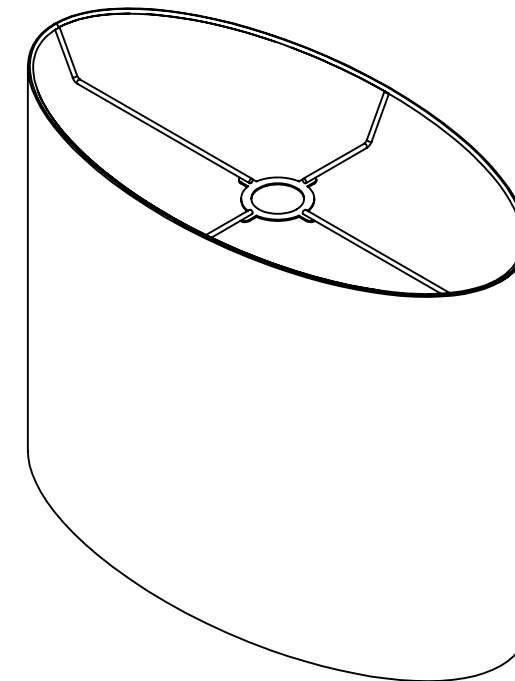
B

B

A

A

PART NUMBER	OVAL-500-250-375H-45-E27
DESCRIPTION	Oval Shade 500 x 250 By 375mm High, E27
LIGHT SOURCE	Not included with shade.
WIRING	This shade has no electrical parts.
SUSPENSION	Shade is attached to E27 lamp holder (not included) with shade rings (not included).
MATERIALS	Steel wire frame with fabric covered PVC panel. Opal acrylic 030 diffuser option available.
WEIGHT (estimated)	0.91Kg



8

7

6

5

4

3

2

1